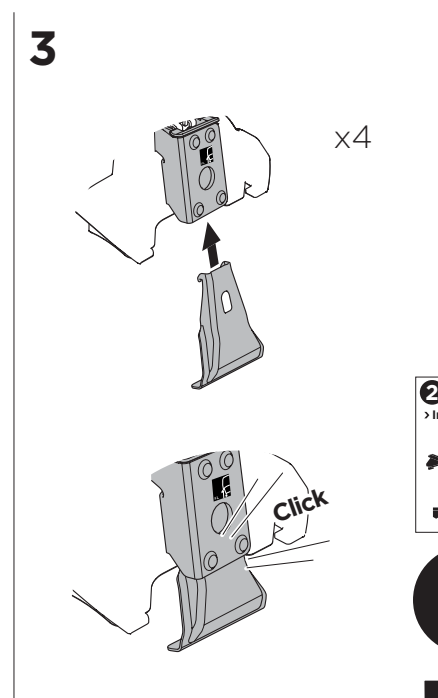
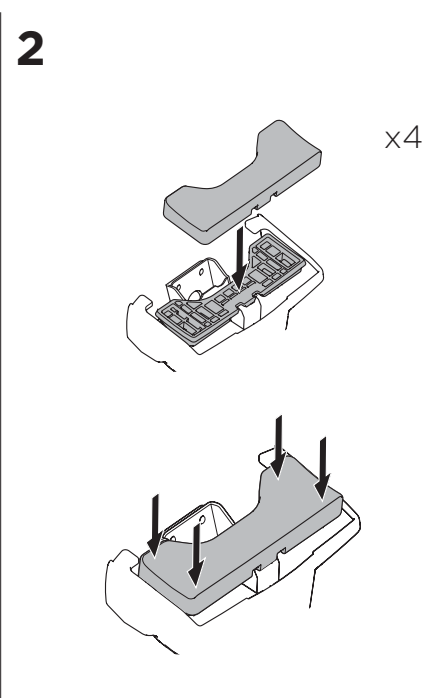
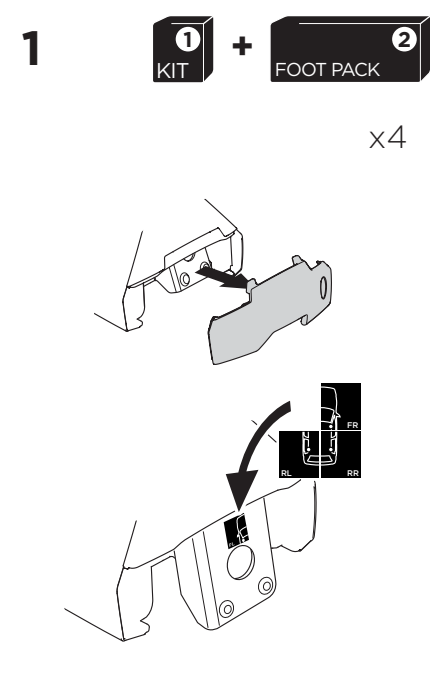
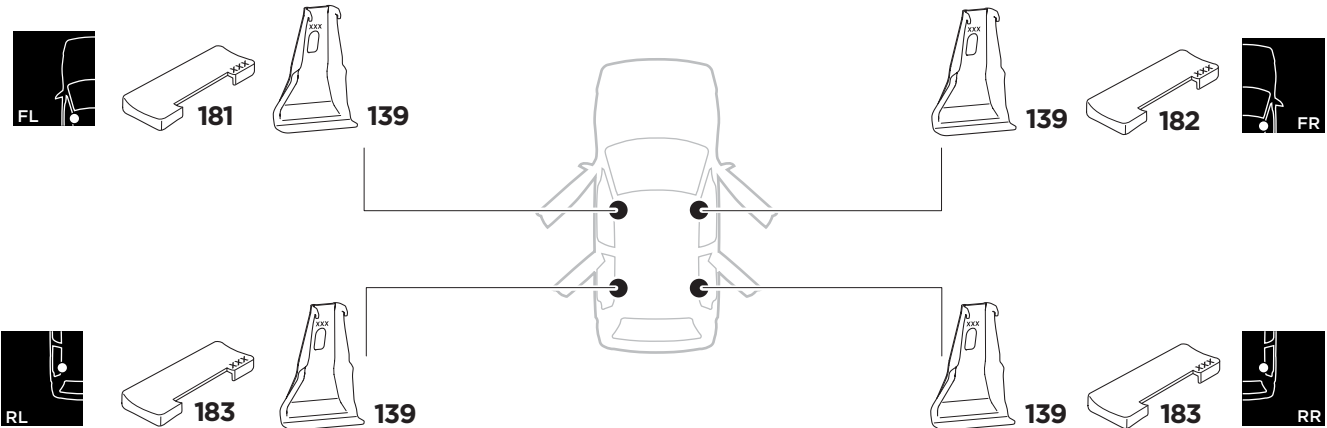
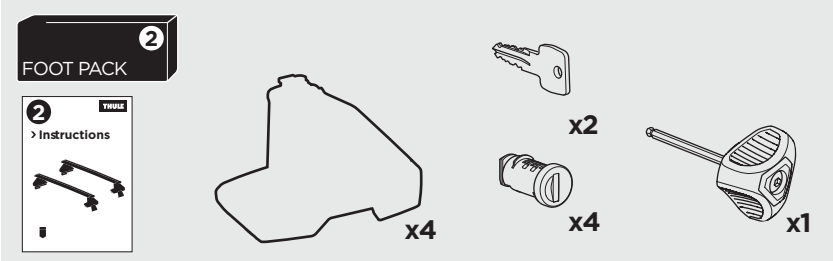
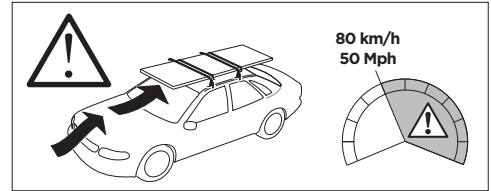
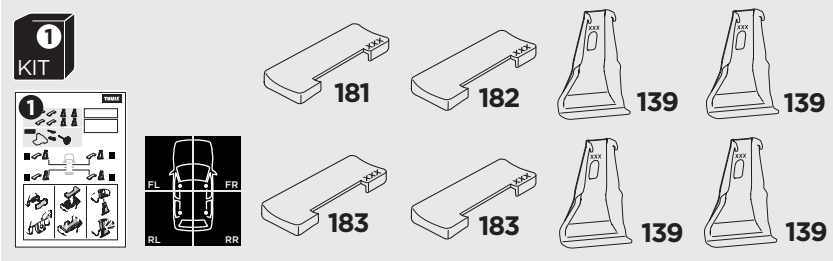


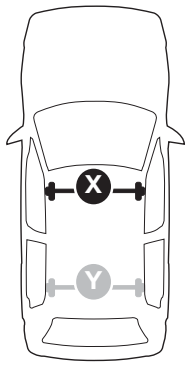
1

Kit 5044

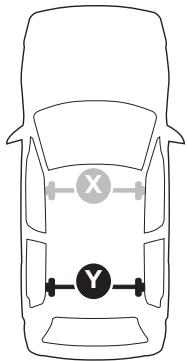
PEUGEOT 3008, 5-dr SUV, 17-

ISO 11154-E





THULE WingBar Evo	THULE WingBar Edge	THULE WingBar	THULE SquareBar	Evo X (scale)	Edge X (scale)
PEUGEOT 3008, 5-dr SUV, 17-				44,5	H
THULE ProBar	THULE SlideBar				X (mm/inch)
PEUGEOT 3008, 5-dr SUV, 17-				1096 mm / 43 1/8"	



THULE WingBar Evo	THULE WingBar Edge	THULE WingBar	THULE SquareBar	Evo Y (scale)	Edge Y (scale)
PEUGEOT 3008, 5-dr SUV, 17-				41,5	N
THULE ProBar	THULE SlideBar				Y (mm/inch)
PEUGEOT 3008, 5-dr SUV, 17-				1066 mm / 42"	

	W (mm/inch)	Z (mm/inch)
PEUGEOT 3008, 5-dr SUV, 17-	720 mm / 28 3/8"	259 mm / 10 1/4"

