

# 1

## Kit 5052

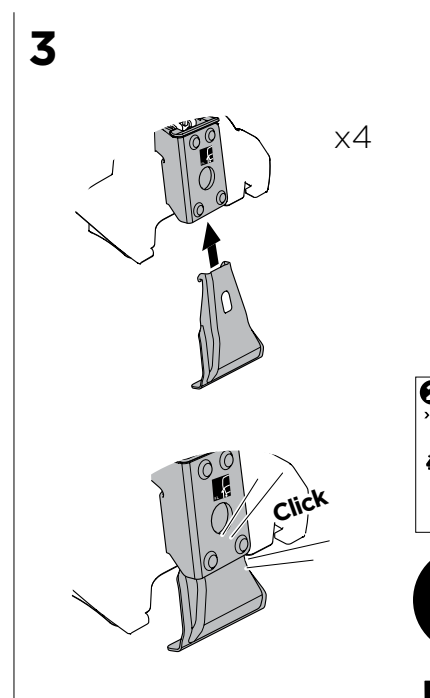
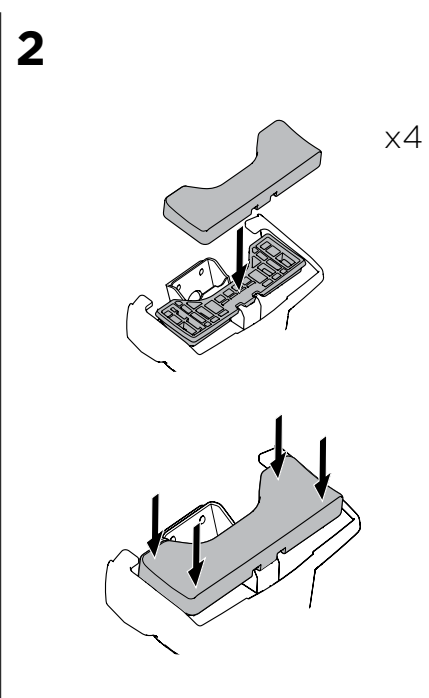
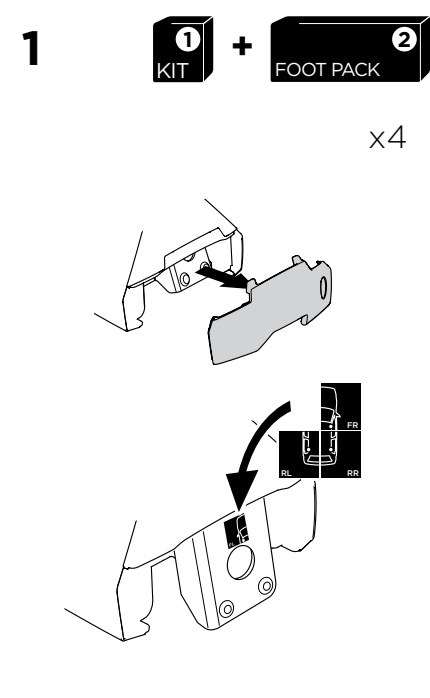
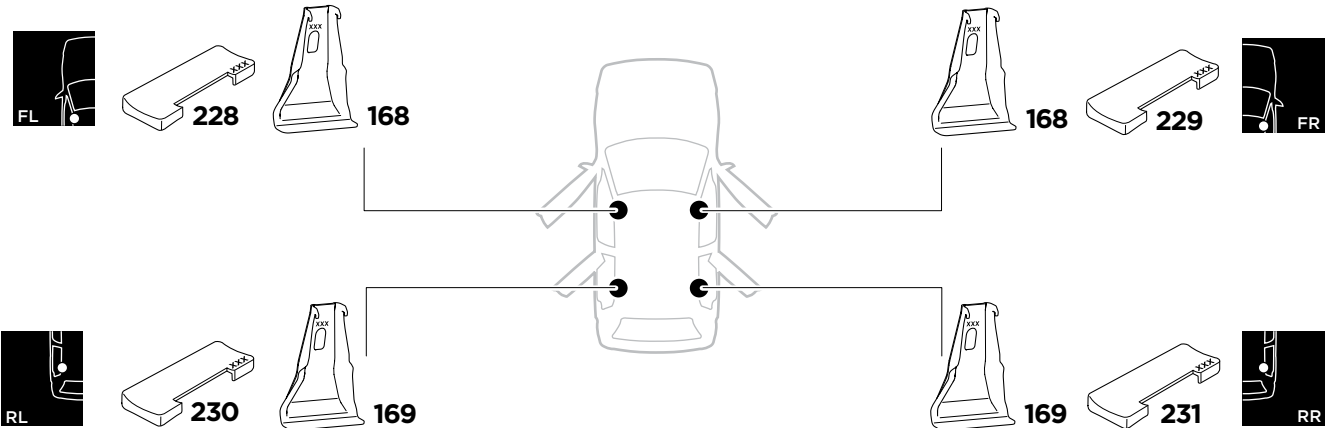
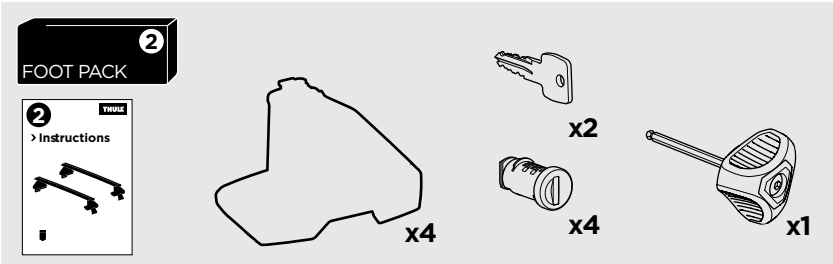
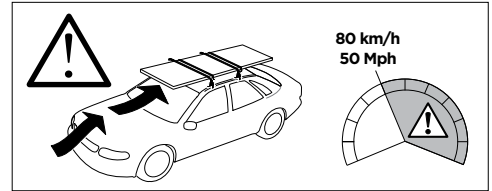
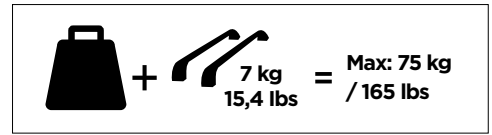
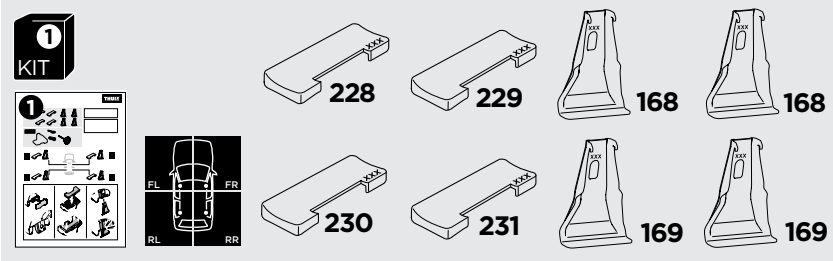
KIA Rio, 5-dr Hatchback, 17- / \*18-

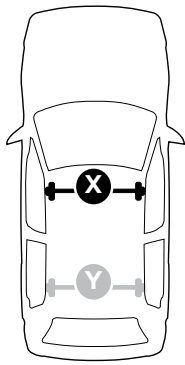
KIA Rio, 4-dr Sedan, \*18-

\*North America



ISO 11154-E

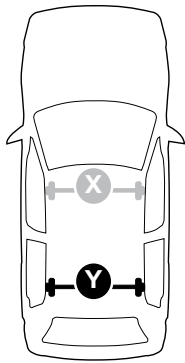




				<b>Evo X (scale)</b>	<b>Edge X (scale)</b>
<b>KIA Rio, 5-dr Hatchback, 17- / *18-</b>				41	O
<b>KIA Rio, 4-dr Sedan, *18-</b>				41	O

				<b>X (mm/inch)</b>	
<b>KIA Rio, 5-dr Hatchback, 17- / *18-</b>				1061 mm / 41 3/4"	
<b>KIA Rio, 4-dr Sedan, *18-</b>				1061 mm / 41 3/4"	



				<b>Evo Y (scale)</b>	<b>Edge Y (scale)</b>
<b>KIA Rio, 5-dr Hatchback, 17- / *18-</b>				33	M
<b>KIA Rio, 4-dr Sedan, *18-</b>				32.5	N

				<b>Y (mm/inch)</b>	
<b>KIA Rio, 5-dr Hatchback, 17- / *18-</b>				981 mm / 38 5/8"	
<b>KIA Rio, 4-dr Sedan, *18-</b>				976 mm / 38 3/8"	

	<b>W (mm/inch)</b>	<b>Z (mm/inch)</b>
<b>KIA Rio, 5-dr Hatchback, 17- / *18-</b>	675 mm / 26 5/8"	195 mm / 7 5/8"
<b>KIA Rio, 4-dr Sedan, *18-</b>	780 mm / 30 3/4"	195 mm / 7 5/8"

